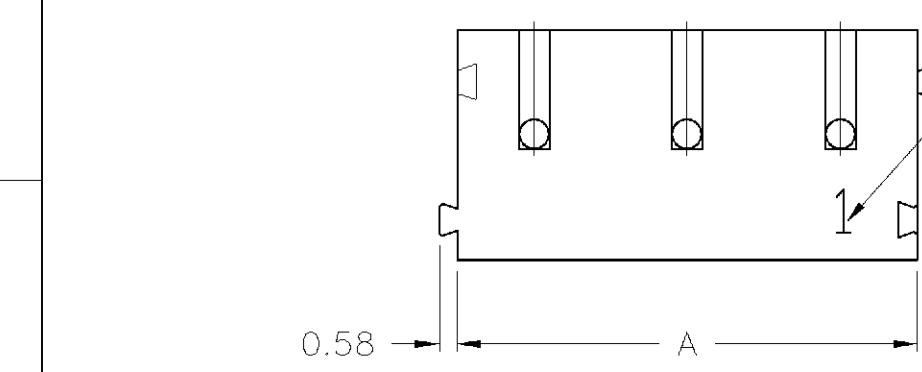
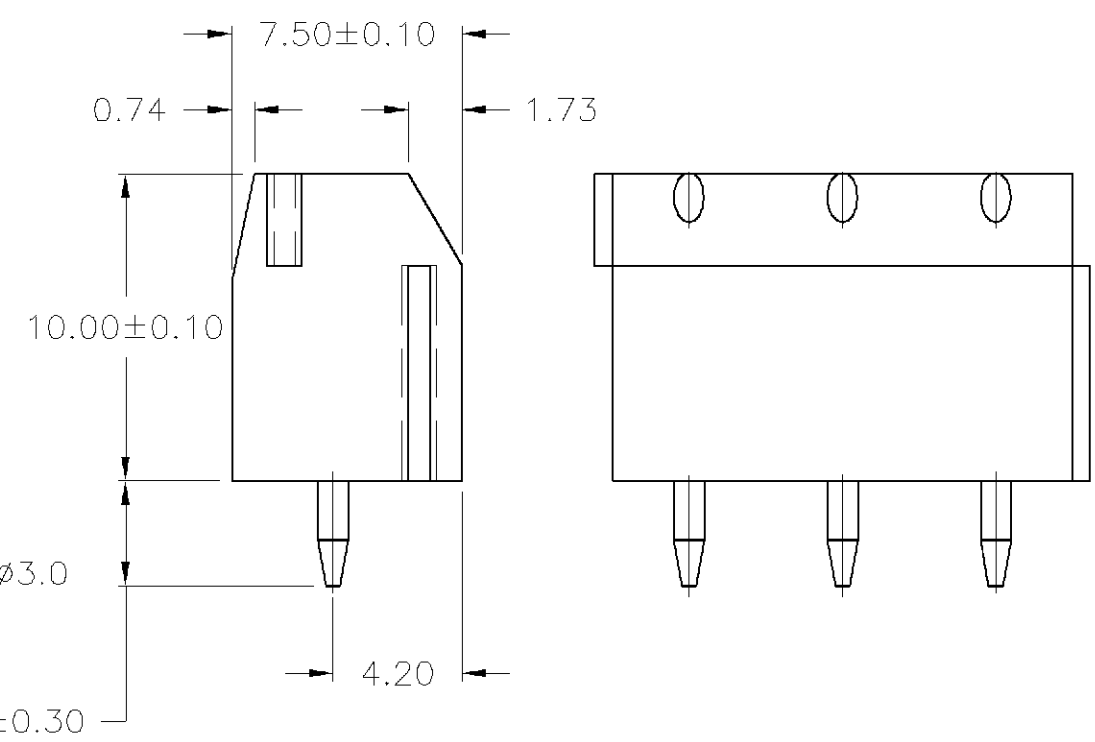
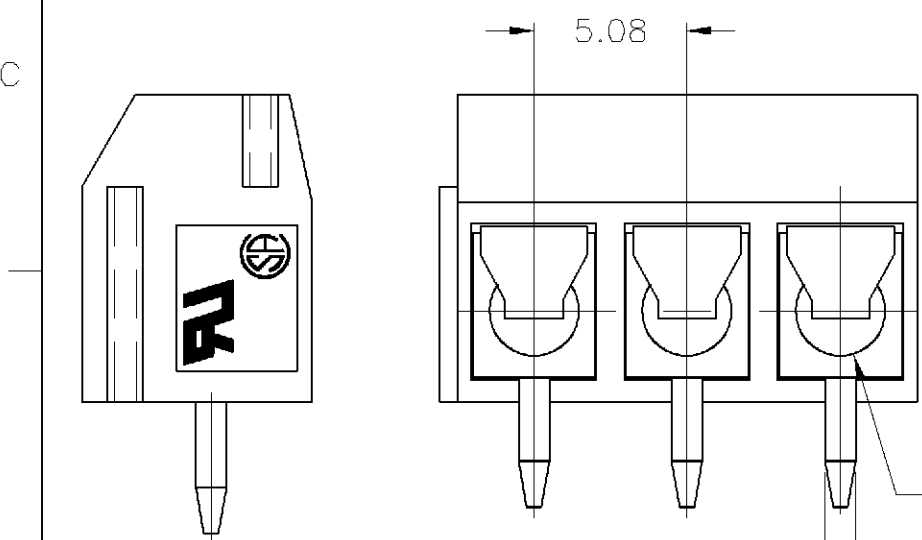
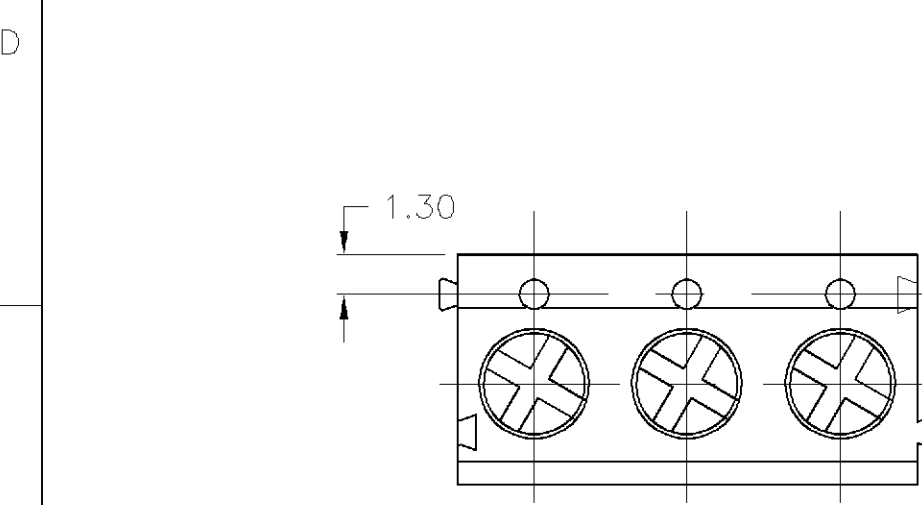


THIS DRAWING IS UNPUBLISHED. RELEASED FOR PUBLICATION  
 © COPYRIGHT BY TYCO ELECTRONICS CORPORATION. ALL RIGHTS RESERVED.

LOC	DIST	REVISIONS			
P	LTR	DESCRIPTION	DATE	DWN	APVD
FT	0	B	REVISED PER OG3B-0233-01	6/11/02	SS DAB

NOTES:

1. ALL DIMENSIONS ARE IN MM.
2. RECOMMENDED PC-BOARD-HOLES DIAMETER:  $\phi 1.20\text{mm}$  to  $1.40\text{mm}$ .
3. BUCHANAN LOGO TO APPEAR ON HOUSING LOCATION OPTIONAL WHERE SPACE PERMITS.



DIM. A	NO. OF POS.	PART NUMBER
121.92	24	2-796410-4
116.84	23	2-796410-3
111.76	22	2-796410-2
106.68	21	2-796410-1
101.60	20	2-796410-0
96.52	19	1-796410-9
91.44	18	1-796410-8
86.36	17	1-796410-7
81.28	16	1-796410-6
76.20	15	1-796410-5
71.12	14	1-796410-4
66.04	13	1-796410-3
60.96	12	1-796410-2
55.88	11	1-796410-1
50.80	10	1-796410-0
45.72	9	796410-9
40.64	8	796410-8
35.56	7	796410-7
30.48	6	796410-6
25.40	5	796410-5
20.32	4	796410-4
15.24	3	796410-3
10.16	2	796410-2

796410-3 AS SHOWN

CAV NO.

THIS DRAWING IS A CONTROLLED DOCUMENT.		DWN E. ZANOLINI 26JAN01	<b>BUCHANAN</b> Tyco Electronics Corporation Harrisburg, PA 17105-3608	
DIMENSIONS: MM		CHK E. ZANOLINI 26JAN01		
TOLERANCES UNLESS OTHERWISE SPECIFIED:		APVD D. BIEVENOUR 26JAN01	NAME TERMINAL BLOCK PCB MOUNT, STRAIGHT SIDE WIRE ENTRY, LOW PROFILE W/INTERLOCK, 5.08mm PITCH (LT)	
0 PLC ± - 1 PLC ± 0.3 2 PLC ± 0.25 3 PLC ± - 4 PLC ± - ANGLES ± -		PRODUCT SPEC -	SIZE A3	
MATERIAL -		FINISH -	CAGE CODE 00779	DRAWING NO C-796410
		WEIGHT -	RESTRICTED TO -	
		CUSTOMER DRAWING		SCALE 4:1
				SHEET 1 OF 2
				REV B

THIS DRAWING IS UNPUBLISHED. RELEASED FOR PUBLICATION  
 © COPYRIGHT BY TYCO ELECTRONICS CORPORATION. ALL RIGHTS RESERVED.

LOC	DIST	REVISIONS				
P	LTR	DESCRIPTION	DATE	DWN	APVD	
FT	0	B	SEE SHEET 1	-	-	

1. Application and Features:

- 1-1. Standard sizes are 2 and 3 way-blocks, but every number of contact can be combined, by simply plugging them together and can be ordered as required\*\*
- 1-2. With wire guard for wire protection (for that the screw doesn't press directly on the wire)

2-3. Mechanical:

- 2-3-1. Torque: 4 Kg.cm (Max).
- 2-3-2. Operating temperature: -55°C to +105°C.
- 2-3-3. Solderability: 95% coverage (min).

2. Technical Data:

2-1. Material:

- 2-1-1. HOUSING: NY-FR15 UL 94 V-0 (Blue).
- 2-1-2. Metal Housing: Brass(Cu Zn)  
Cu,Tin plated.
- 2-1-3. Wire guard: Stainless steel.
- 2-1-4. Screw: Steel galvanized and chromitized, M2.6

2-2. Electrical:

- 2-2-1. Current rating: 10 Amps/way max.
- 2-2-2. Contact resistance: 20mΩ (Max).
- 2-2-3. Insulation resistance: 5000MΩ /1000V.
- 2-2-4. Withstanding Voltage: 1500VAC (1min).  
test time =60sec/1pcs
- 2-2-5. Operation Voltage: 300 VAC.
- 2-2-6. Wire Range: 14-22 AWG.

THIS DRAWING IS A CONTROLLED DOCUMENT.		DWN E. ZANOLINI 26JAN01	Tyco Electronics Corporation		
		CHK E. ZANOLINI 26JAN01	Harrisburg, PA 17105-3608		
		APVD D. BIEVENOUR 26JAN01	NAME		
DIMENSIONS: MM		PRODUCT SPEC		TERMINAL BLOCK PCB MOUNT STRAIGHT	
TOLERANCES UNLESS OTHERWISE SPECIFIED:		APPLICATION SPEC		SIDE WIRE ENTRY, LOW PROFILE	
0 PLC ± -		WEIGHT		W/INTERLOCK, 5.08mm PITCH (LT)	
1 PLC ± -		SIZE		A3	
2 PLC ± -		CAGE CODE		00779	
3 PLC ± -		DRAWING NO		C-796410	
4 PLC ± -		RESTRICTED TO		-	
ANGLES ± -		CUSTOMER DRAWING		SCALE 1:1	
MATERIAL		FINISH		SHEET 2 OF 2	
-		-		REV B	