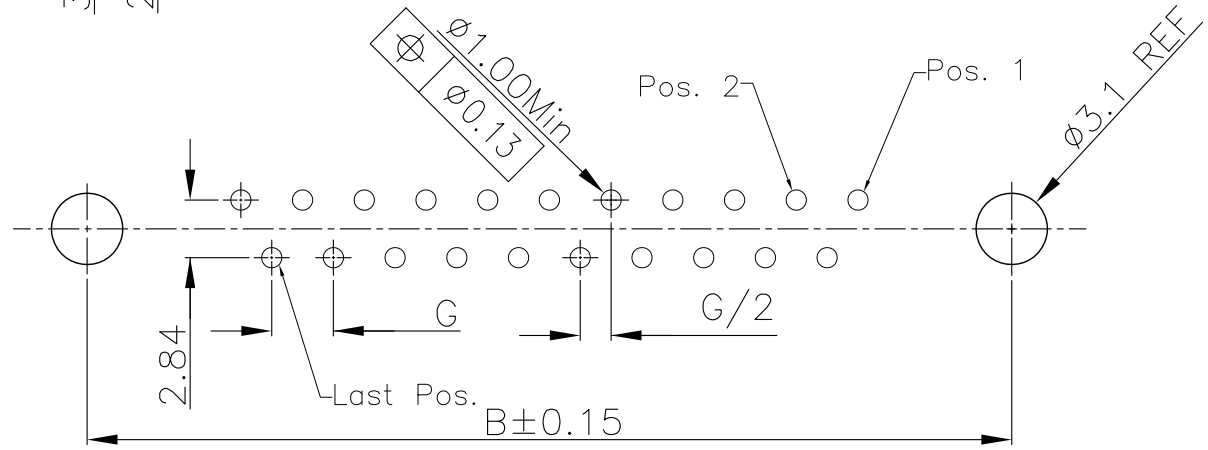
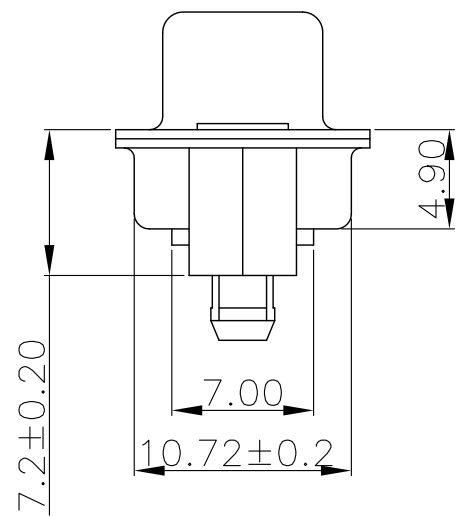
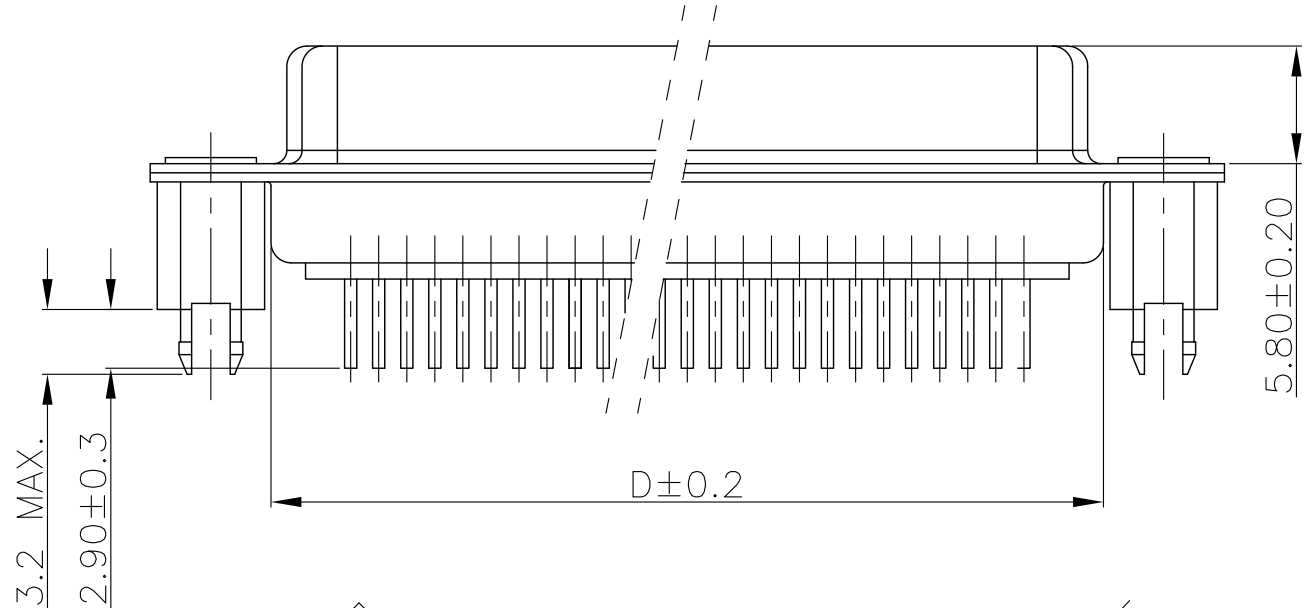
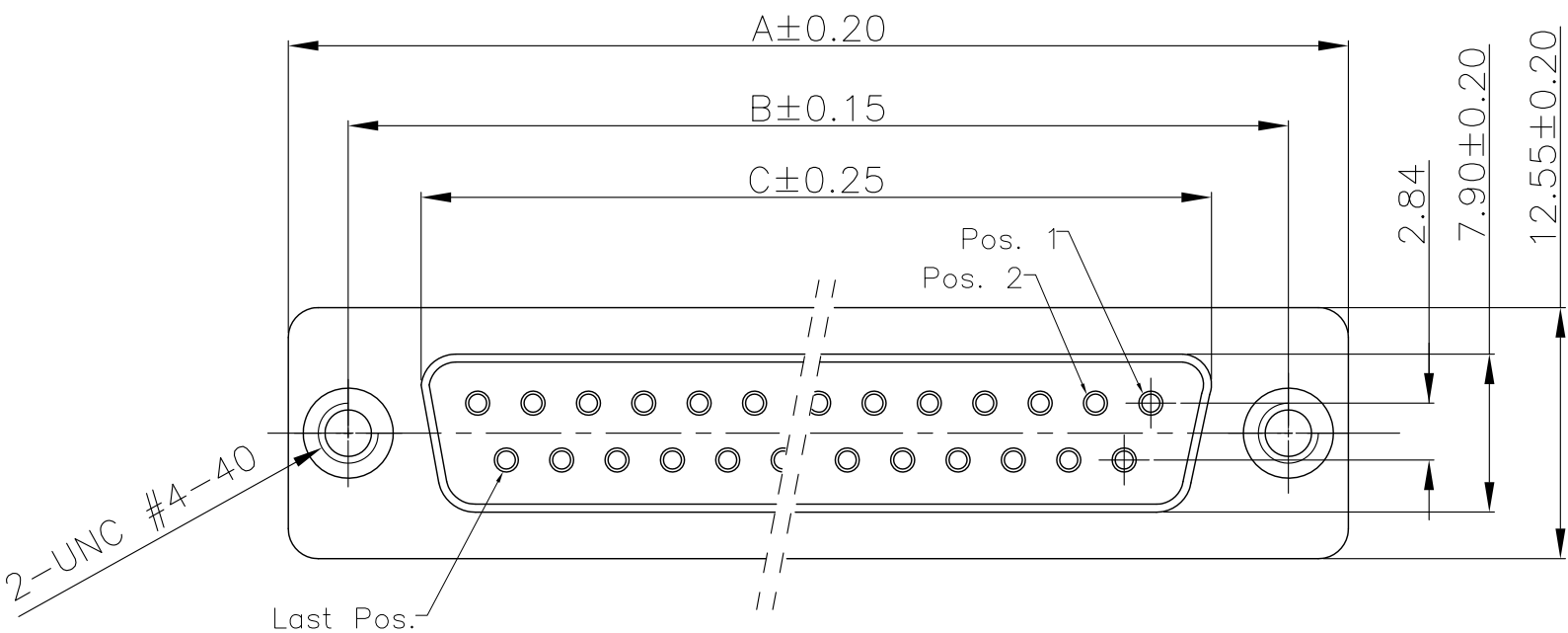


Tous droits strictement reserves. Reproduction ou communication a des tiers interdite sous quelque forme que ce soit sans autorisation ecrite du proprietaire. Propriete de c FCI. Droits de reproduction FCI.



All rights strictly reserved. Reproduction or issue to third parties in any form whatever is not permitted without written authority from the proprietor. Property of FCI. Copyright FCI.



P.C.B LAYOUT
t: 1.6±0.1MM

REMARK:
1.CHARACTERISTICS:
RATED VOLTAGE: 250V
RATED CURRENT: 5AMP
CONTACT RESISTANCE: 25mohms MAX.INITIAL;40mohms MAX.AFTER.
INSULATION RESISTANCE: 5000Mohms MIN.at 500V DC
DIELECTRIC STRENGTH: 1000VRMS
OPERATING TEMPERATURE RANGE: -55°C~105°C
INSERTION/EXTRACTION FORCE PER CONTACT:5N Max./0.3N Min.
MATING/UNMATING CYCLES:50MATINGS MIN.

2.MATERIAL:
INSULATORS: GLASS-FILLED THERMOPLASTIC UL94V-0, COLOR IN BLACK.
CONTACTS: COPPER ALLOY, SELECTIVE GOLD ON CONTACT AREA,
100u" Min MATTE TIN TOP OVER SOLDER AREA,
30u" Min NICKEL UNDER PLATE.
SHELL: STEEL,100u" Min NICKEL TOP OVER,
50u" Min COPPER UNDER PLATE.
CLINCH NUT :COPPER ALLOY,100u" Min MATTE TIN PLATED.

3. PART NUMBER DESCRIPTION:

10090098-S XX 4 X LF
SERIES NO. _____
TYPE _____
S: SOCKET (FEMALE)
NUMBER OF CONTACTS _____
09: 9-PIN
15: 15-PIN
25: 25-PIN
37: 37-PIN
LF: ROHS COMPLIANT
FLANGE MOUNTING OPTION
X: UNC #4-40 CLINCHNUTS
CONTACT FINISH
4: GOLD FLASH

| POS. | PART NO. | THREAD TYPE |
|------|------------------|-------------|
| 9 | 10090098-S094XLF | UNC 4-40 |
| 15 | 10090098-S154XLF | UNC 4-40 |
| 25 | 10090098-S254XLF | UNC 4-40 |
| 37 | 10090098-S374XLF | UNC 4-40 |

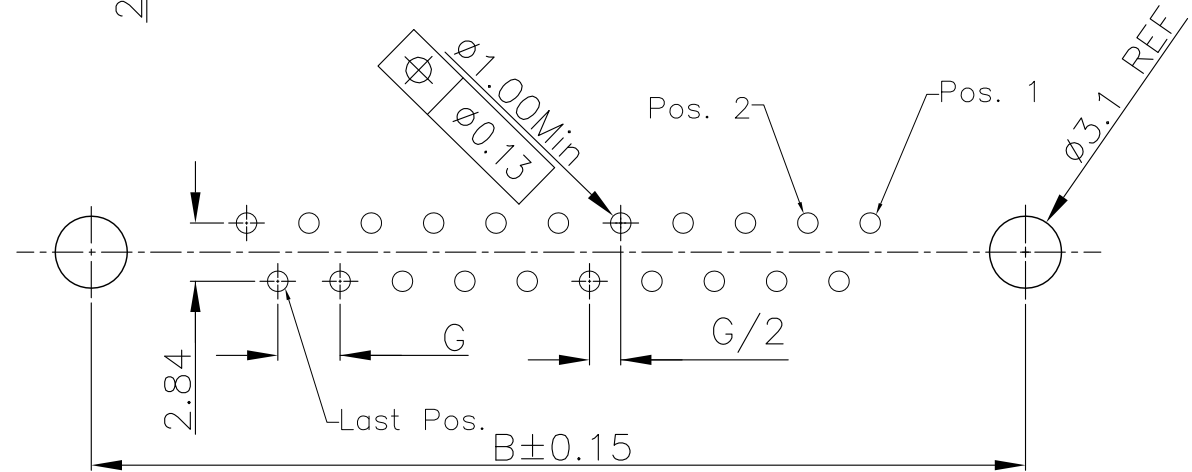
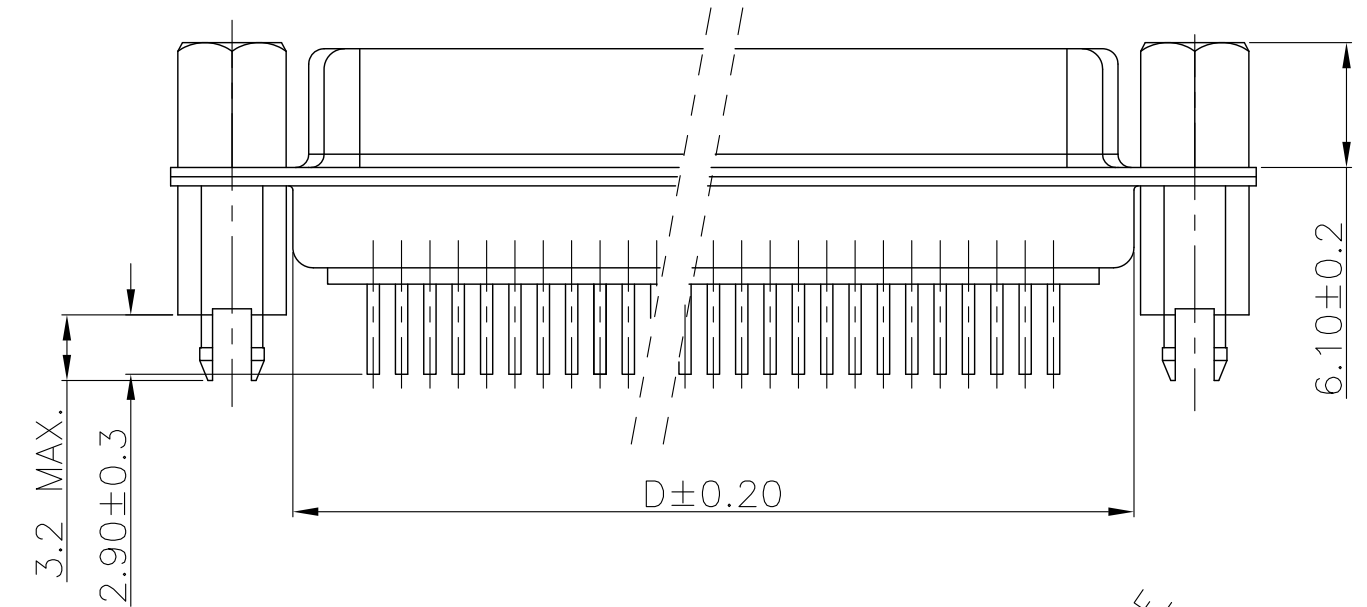
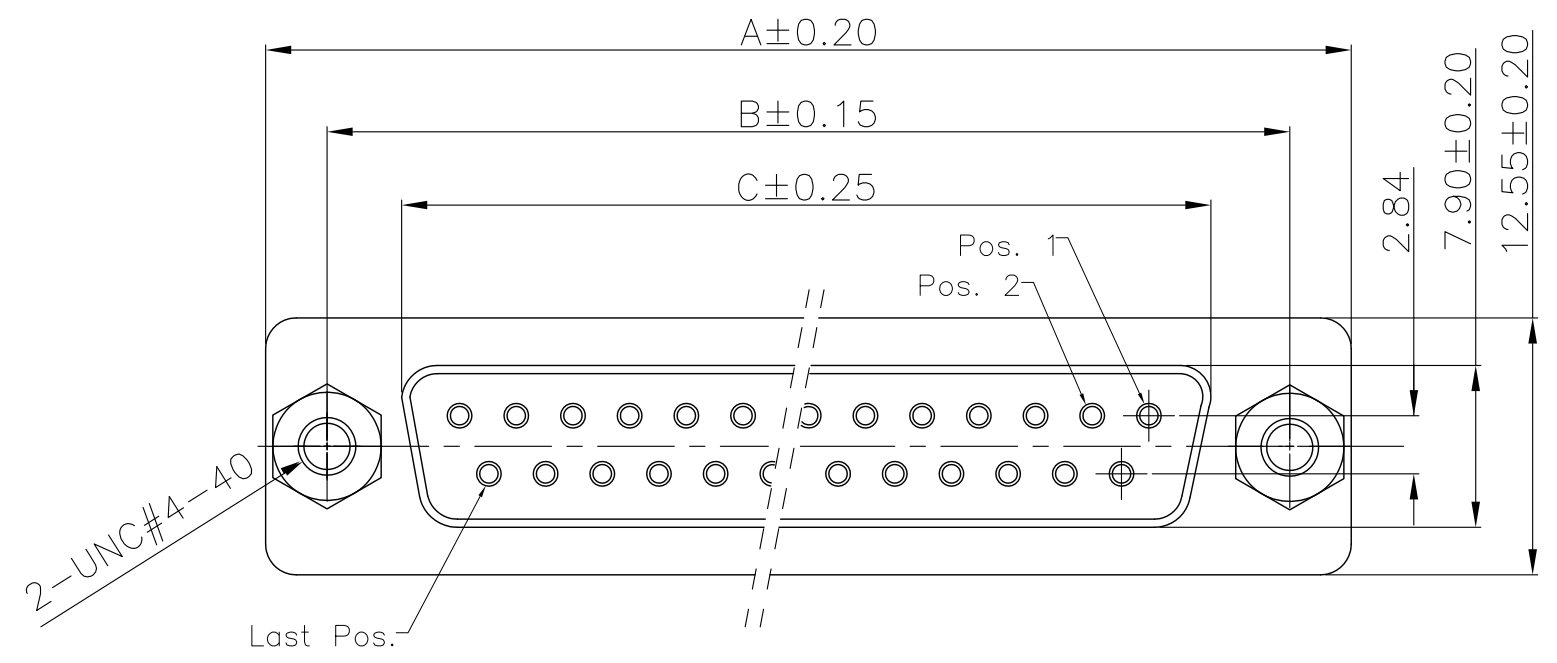
| POS. | A | B | C | D | G |
|------|-------|-------|-------|-------|------|
| 09 | 30.81 | 24.99 | 16.33 | 19.28 | 2.74 |
| 15 | 39.24 | 33.32 | 24.66 | 27.75 | 2.74 |
| 25 | 53.04 | 47.04 | 38.38 | 41.30 | 2.77 |
| 37 | 69.32 | 63.50 | 54.84 | 57.40 | 2.77 |

| | | | | | | | | | | | |
|-------------|----------------|-----|------------|---------------------------------------|-------------|------------|---------------|--------------------------------|---------------------------|------|--------|
| mat'l. code | | | | tolerances unless otherwise specified | | | CUSTOMER COPY | | FCI www.fciconnect.com | | |
| ltr | ecn no | dr | date | linear | .X ± 0.38 | | projection | title D-SUB FEMALE STRAIGHT | | | |
| A | T09-1033 | J.H | 3/13/09 | | .XX ± 0.25 | | | | | | |
| B | T09-1044 | J.H | 4/2/09 | | .XXX ± 0.10 | | | | | | |
| C | ELX-I-15340 | M.P | 07/25/13 | | 0° ±2° | | | | | | |
| D | ELX-I-15500 | A.B | 2013/08/21 | dr | JASON HSU | 3/12/09 | MM | product family D-SUB | | code | |
| | | | | enrg | ALIAS BABU | 2013/08/21 | | scale 1:1 | size dwg no | | TWN |
| | | | | chr | MITHUN PAUL | 2013/08/21 | | | A4 10090098 | | sheet |
| | | | | appd | BIJU K PAUL | 2013/08/21 | | | | | 1 of 2 |
| sheet index | revision sheet | D | D | | | | | | | | |
| | | 1 | 2 | | | | | | | | |

Tous droits strictement reserves. Reproduction ou communication a des tiers interdite sous quelque forme que ce soit sans autorisation ecrite duproprietaire. Propriete de c FCI. Droits de reproduction FCI.



All rights strictly reserved. Reproduction or issue to third parties in any form whatever is not permitted without written authority from the proprietor. Property of FCI. Copyright FCI.

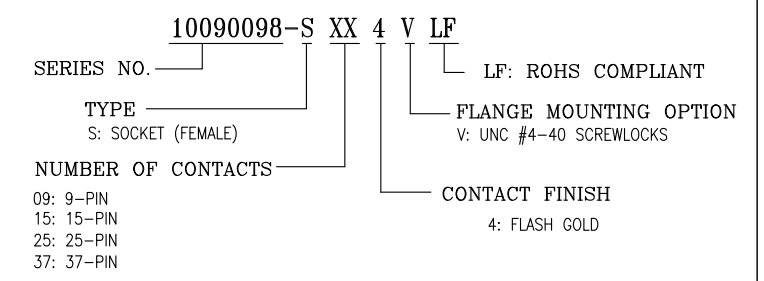


P.C.B LAYOUT
t: 1.6±0.1MM

REMARK:

- 1.CHARACTERISTICS:
 RATED VOLTAGE: 250V
 RATED CURRENT: 5AMP
 CONTACT RESISTANCE: 25mohms MAX.INITIAL ;40mohms MAX.AFTER.
 INSULATION RESISTANCE: 5000Mohms MIN.at 500V DC
 DIELECTRIC STRENGTH: 1000VRMS
 OPERATING TEMPERATURE RANGE: -55°C~105°C
 INSERTION/EXTRACTION FORCE PER CONTACT :5N Max./0.3N Min.
 MATING/UNMATING CYCLES :50MATINGS MIN.
- 2.MATERIAL:
 INSULATORS: GLASS-FILLED THERMOPLASTIC UL94V-0, COLOR IN BLACK.
 CONTACTS: COPPER ALLOY,SELECTIVE GOLD ON CONTACT AREA,
 100u" Min MATTE TIN TOP OVER SOLDER AREA,
 30u" Min NICKEL UNDER PLATE.
 SHELL: STEEL,100u" Min NICKEL TOP OVER,
 50u" Min COPPER UNDER PLATE.
 CLINCH NUT :COPPER ALLOY,100u" Min MATTE TIN PLATED.
 SCREW LOCK: COPPER ALLOY, 100u" Min BRIGHT NICKEL PLATED.

3. PART NUMBER DESCRIPTION:



| POS. | PART NO. | A | B | C | D | G |
|------|------------------|-------|-------|-------|-------|------|
| 09 | 10090098-S094VLF | 30.81 | 24.99 | 16.33 | 19.28 | 2.74 |
| 15 | 10090098-S154VLF | 39.24 | 33.32 | 24.66 | 27.75 | 2.74 |
| 25 | 10090098-S254VLF | 53.04 | 47.04 | 38.38 | 41.30 | 2.77 |
| 37 | 10090098-S374VLF | 69.32 | 63.50 | 54.84 | 57.40 | 2.77 |

| | | | | | | | | | |
|-------------|----------------|----|------|---------------------------------------|------------------------|---------------|-----------------------|---------------------------|--|
| mat'l. code | | | | tolerances unless otherwise specified | | CUSTOMER COPY | | FCI www.fciconnect.com | |
| ltr | ecn no | dr | date | linear | .X ± 0.38 | projection | title | | |
| D | | | | | .XX ± 0.25 | | D-SUB FEMALE STRAIGHT | | |
| | | | | angles | .XXX ± 0.10 | | | | |
| | | | | dr | JASON HSU 3/12/09 | MM | product family | D-SUB | |
| | | | | enrg | ALIAS BABU 2013/08/21 | | size | dwg no | |
| | | | | chr | MITHUN PAUL 2013/08/21 | | A4 | 10090098 | |
| | | | | appd | BIJU K PAUL 2013/08/21 | | | sheet 2 of 2 | |
| sheet index | revision sheet | | | | | | | | |